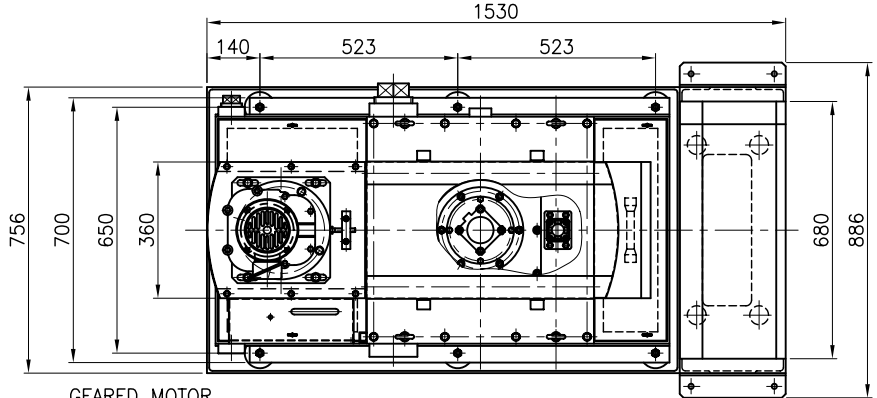
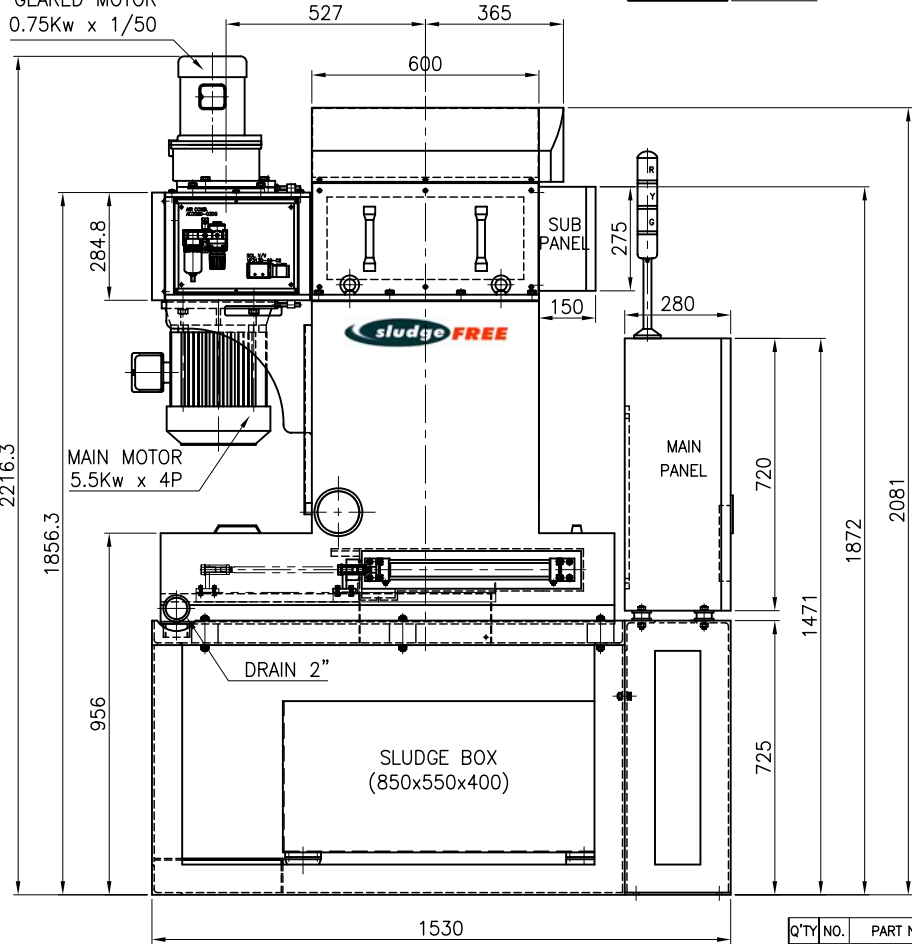


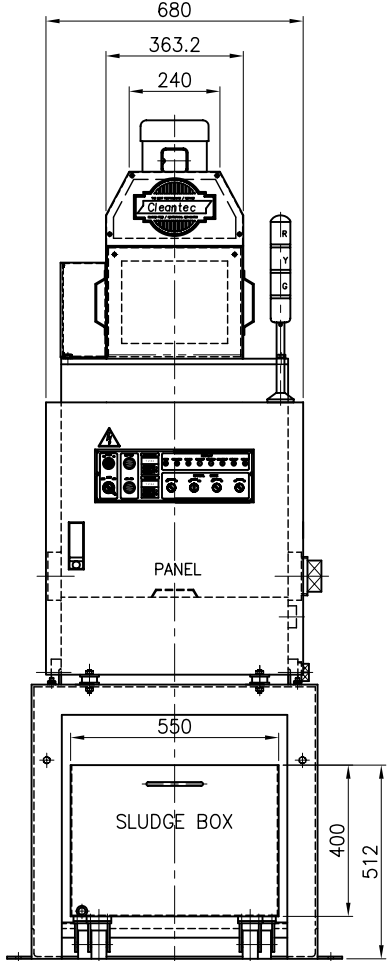
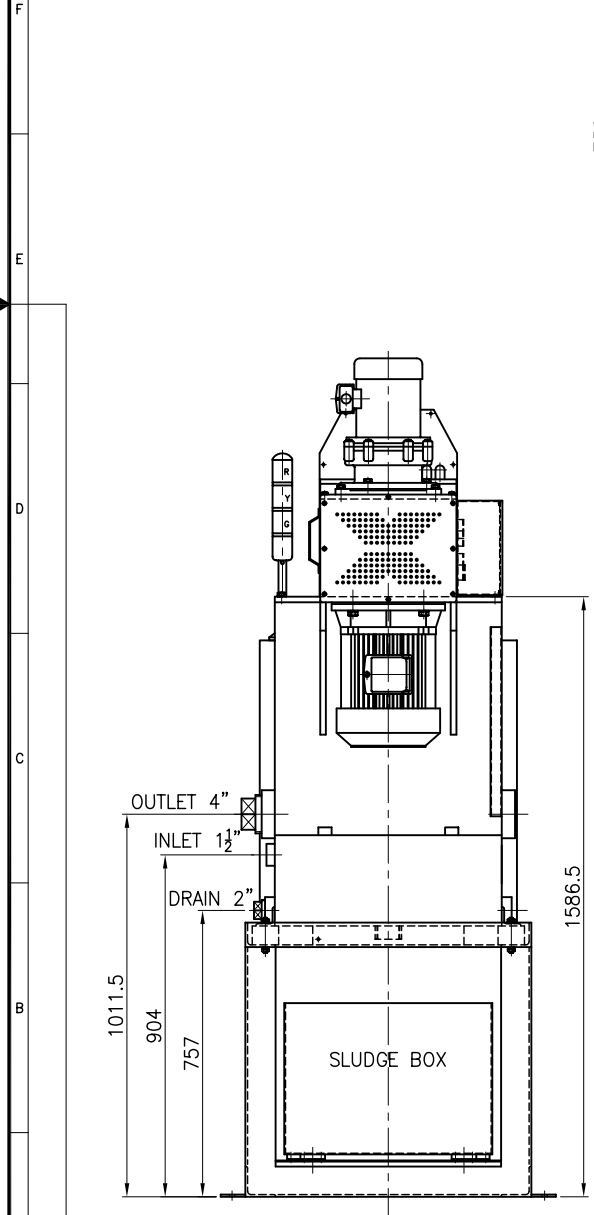
MODEL	SF-200A
Process Capacity	200 L/min



GEARED MOTOR  
0.75Kw x 1/50



MAIN MOTOR  
5.5Kw x 4P



Q'TY	NO.	PART NO.	NAME	MAT'L	SIZE	WT.(kg)	REMARKS
▲			NOTE	STANDARD			
▲			APPD		TITLE	CENTRIFUGAL SEPARATOR	
▲			CHKD		SLUDGE FREE SF-200A		
▲			DESD		ASS'Y(하부배출 TYPE 외형도)		
▲			DRAW/06.03.15	B.S.LEE	DWG. NO.	SF20A000	REG.
▲					AUX. NO.		
NO.	REV.	DATE	SIGN	CleanTec			

SCALE  
1/10