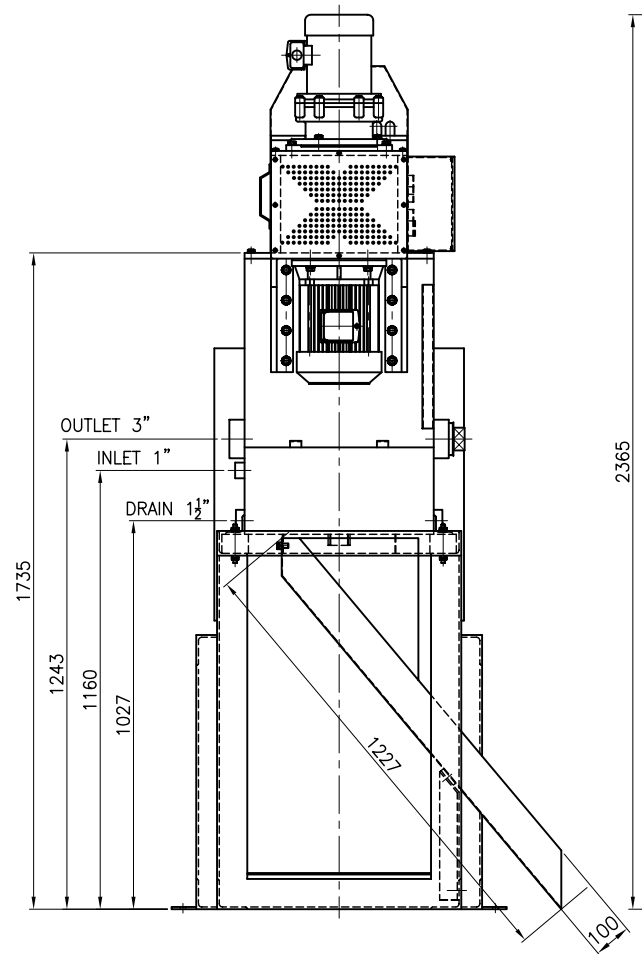
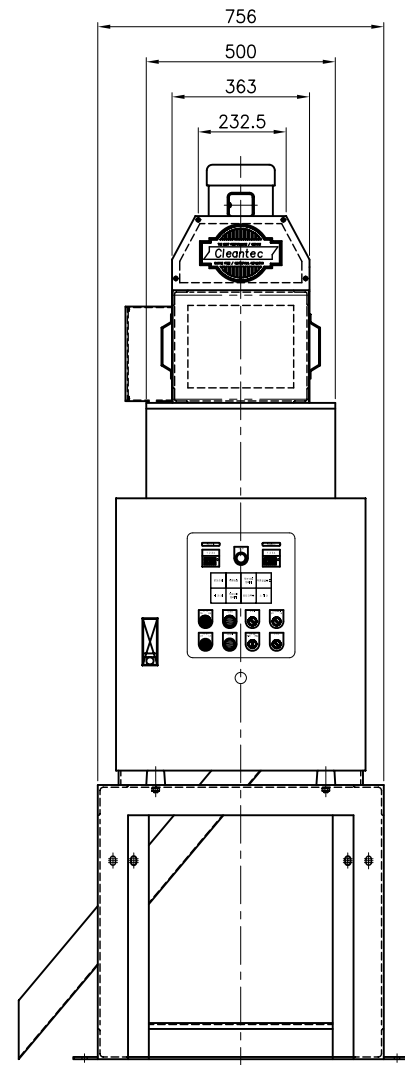
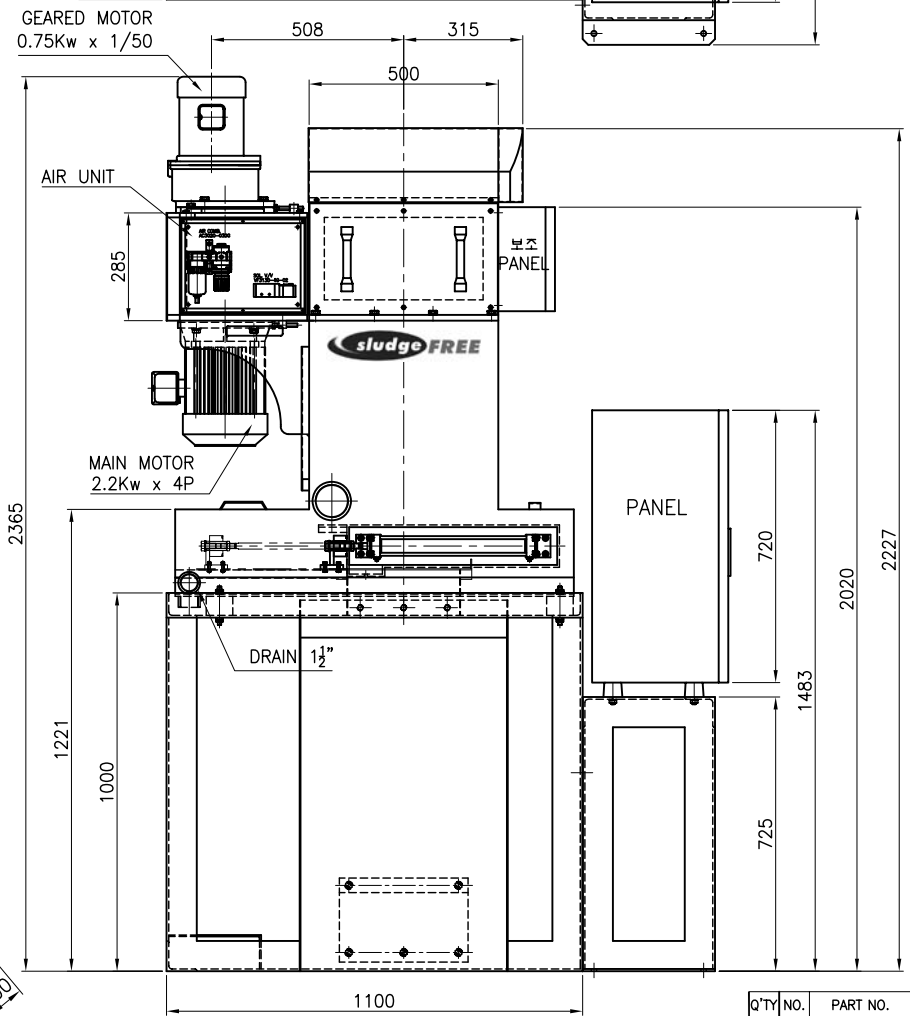
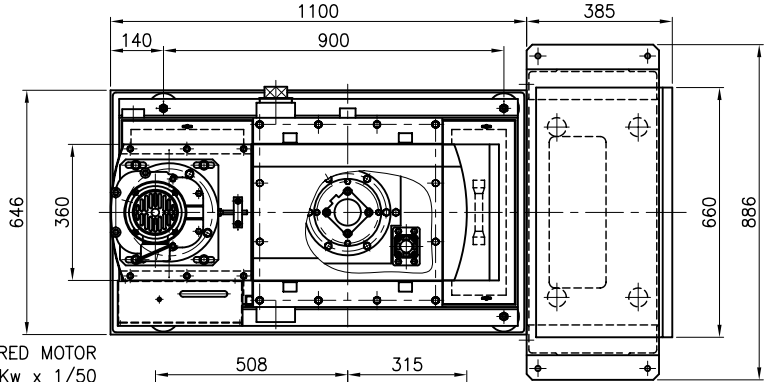


MODEL	SF-100A
Process Capacity	100 L/min



Q'TY	NO.	PART NO.	NAME	MAT'L	SIZE	WT.(kg)	REMARKS
▲			NOTE				STANDARD
▲			APPD				TITLE CENTRIFUGAL SEPARATOR
▲			CHKD				SLUDGE FREE SF-100A
▲			DESD				ASS'Y(고액분리기)
▲			DRAW/06.08.09/ B.S.LEE				DWG. NO. SF10A000
▲							AUX. NO.
▲							SCALE 1/10
▲							REG.
NO.	REV.	DATE	SIGN				