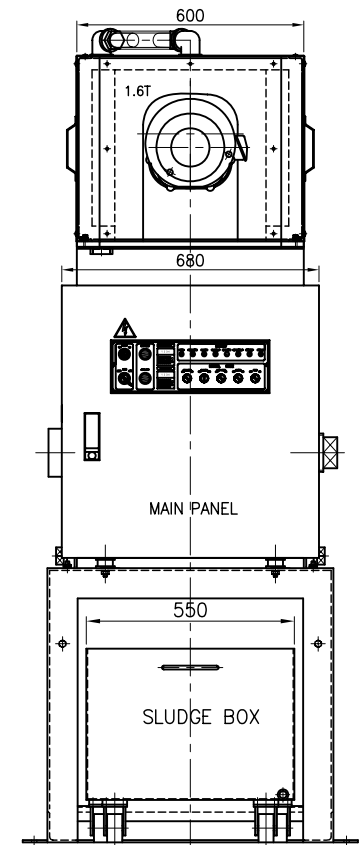
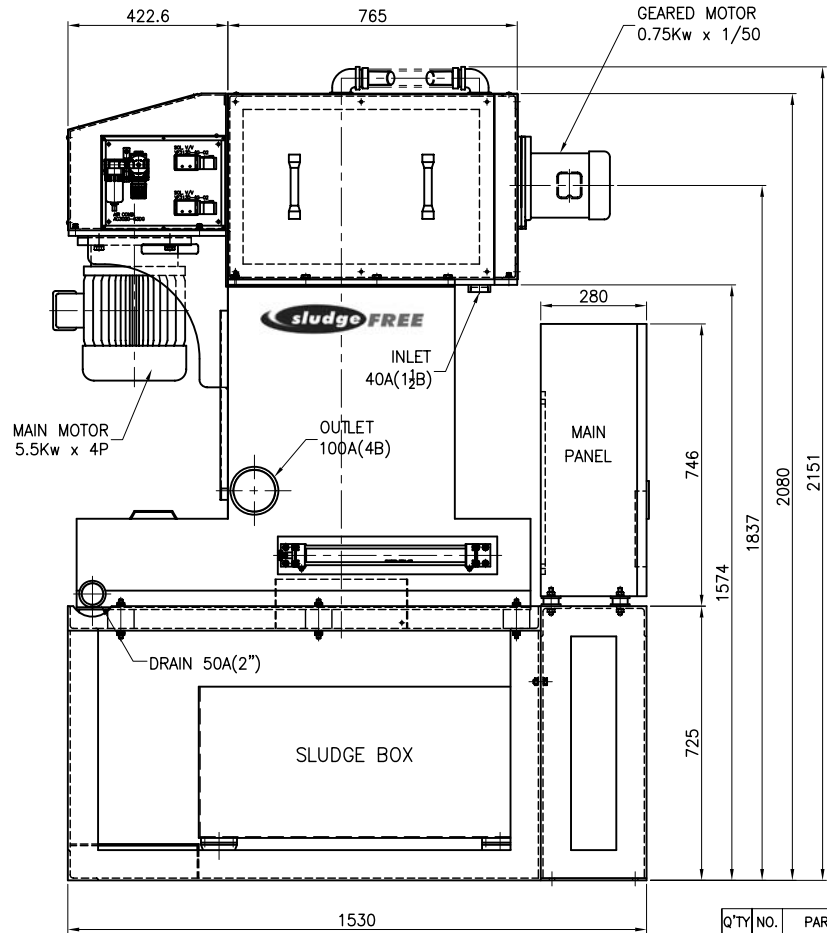
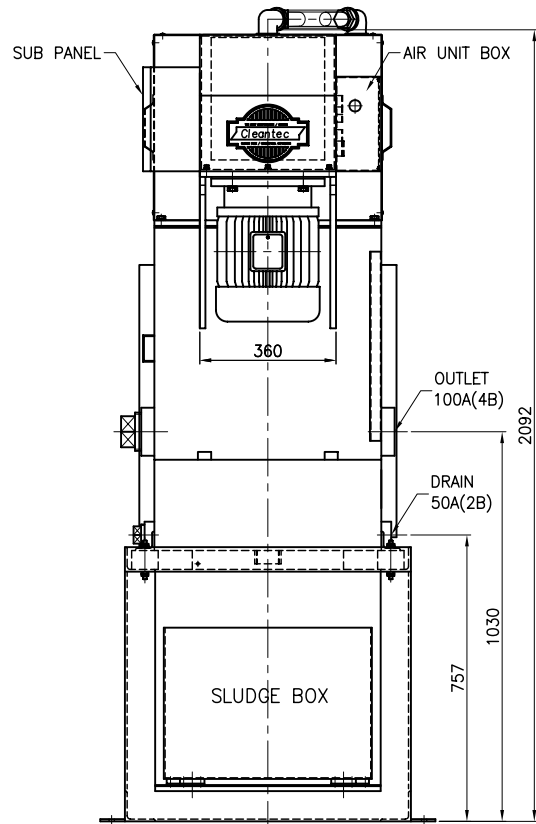
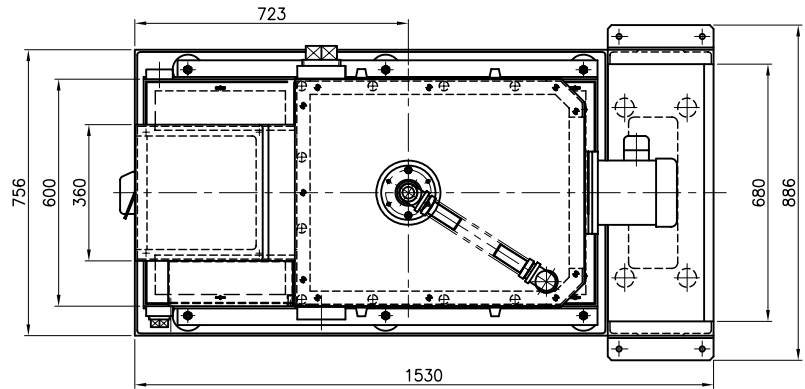


MODEL	PSF-200A
Process Capacity	200 L/min



Q'TY	NO.	PART NO.	NAME	MAT'L	SIZE	WT.(kg)	REMARKS
▲			NOTE	STANDARD			
▲			APPD		TITLE	CENTRIFUGAL SEPARATOR	
▲			CHKD		GEAR SYSTEM PSF-200A		
▲			DESD		LAY-OUT		
▲			DRAW/08.01.30	B.S.LEE	DWG. NO.	PSF20A000	REG.
▲					AUX. NO.		
NO.	REV.	DATE	SIGN				

SCALE 1/10